

SEL SEL-351R Configurable Labels

Overview

IMPORTANT: This kit contains paper labels that are not compatible with labels received prior to December 3, 2002.

The SEL-351R Configurable Labels Kit provides the materials and information needed to customize the target LED and operator control pushbutton areas of the front panel. *Figure 1* shows the pocket areas and openings.

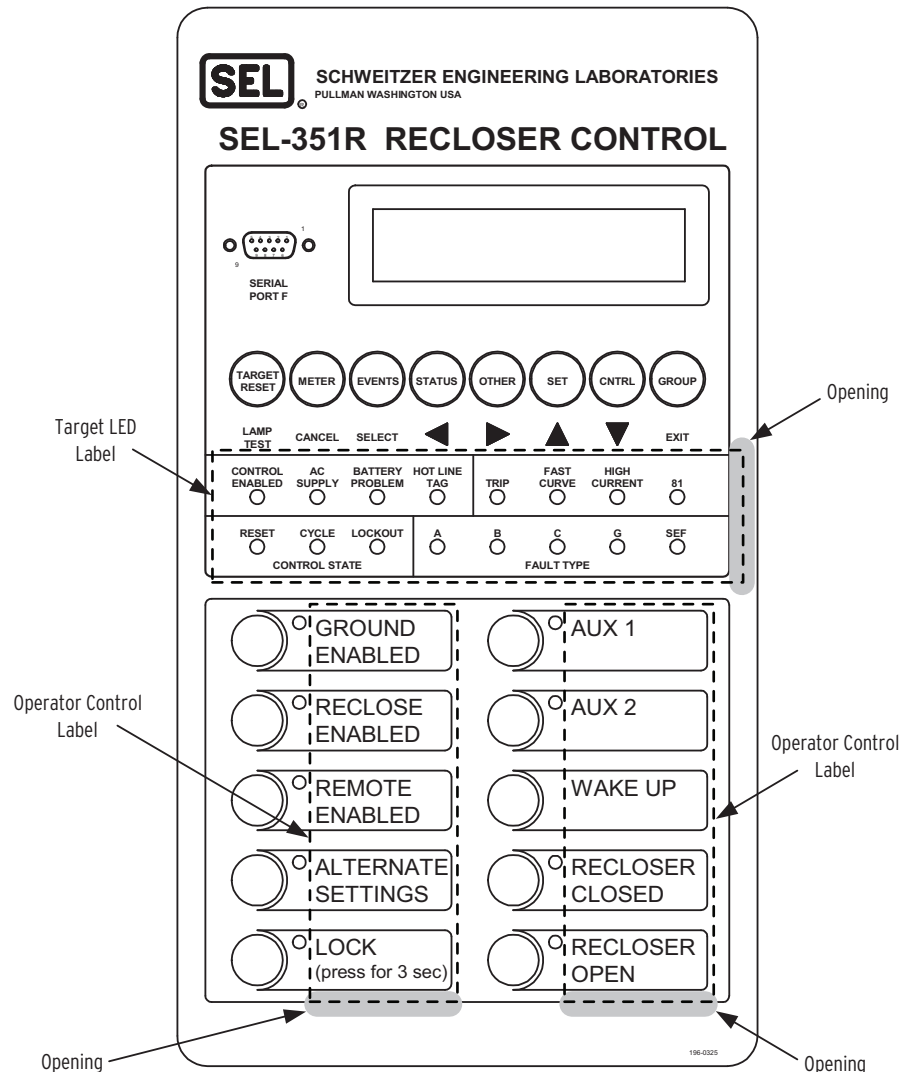


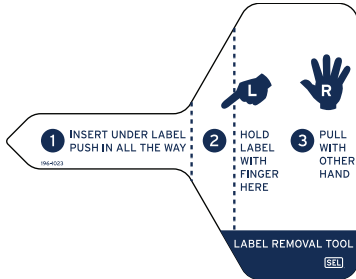
Figure 1 Typical SEL-351R Configurable Label Areas

The SEL-351R features a versatile front panel that you can customize for your needs. Use SELOGIC® control equations and slide-in, configurable front-panel labels to change the function and identification of target LEDs and operator control pushbuttons and LEDs.

The SEL-351R comes with pre-printed labels. Alternatively, you can write on the back side of the pre-printed labels, use the blank labels provided in this kit, or print your own customized labels.

If you need additional configurable label kits (part number 9260001), contact your Technical Service Center or the SEL factory to obtain these kits (see *Factory Assistance on page 3*).

Removing Labels



Use the label removal tool to remove labels from the front-panel pockets.

- Step 1. Slide the tip of the tool under the label at the pocket opening (see *Figure 1* for example opening locations).
- Step 2. Push the exposed edge of the label against the label removal tool while pulling out both the label and label removal tool.

Creating Laser-Printed Labels

NOTE: The default template font is from the Arial family. You can use this font or choose a different font that is available on your computer system.

NOTE: You can adjust the font size to accommodate more text within the cell.

Use the following procedure to create laser-printed labels. You can find label template files on the SEL website (selinc.com).

- Step 1. Open the appropriate Microsoft® Word template.

- Step 2. Fill in the fields.

Use the Tab and Arrow keys or your mouse to move from field to field. Field space is limited; only the text that displays on the screen prints on the label.

Save the file often to preserve your work in progress.

- Step 3. Test the position of the label text.
 - a. Print the template file to plain paper.
 - b. Examine the printed sheet for proper alignment. Carefully compare the printed page to the perforated stock sheets.
 - c. If the printed sheet is not aligned properly, proceed to *Step 4*.
 - d. If the labels appear as desired, proceed to *Step 5*.
- Step 4. Make adjustments to margin settings, as necessary, to print in the proper location on the test sheet.
 - a. Use the **Page Setup** dialog box to adjust only the top or left margins as needed to correct the alignment.
DO NOT adjust the right or bottom margins.
 - b. Do another test print on plain paper.
 - c. Examine the label position.
 - d. Repeat as necessary until the alignment is correct.
Save the file often to preserve your work in progress.

- Step 5. Print the labels on the perforated stock sheets.

If the labels printed incorrectly, repeat this procedure beginning with *Step 3*.

- Step 6. Fold and tear the perforated edges of the stock paper to remove the labels from the sheet.

NOTE: Place the perforated stock sheet in the printer tray as indicated by the printer (either face up or face down).

Also, if your printer has duplex capability, be sure to set the printer to print single sided.

- Step 7. Remove the existing labels from the front-panel label pockets with the label removal tool.
- Step 8. Insert the newly created labels in the appropriate pockets on the front panel.

Factory Assistance

We appreciate your interest in SEL products and services. If you have questions or comments, please contact us at:

Schweitzer Engineering Laboratories, Inc.
2350 NE Hopkins Court
Pullman, WA 99163-5603 USA
Telephone: +1.509.332.1890
Fax: +1.509.332.7990
Internet: www.selinc.com
Email: info@selinc.com

© 2001-2022 by Schweitzer Engineering Laboratories, Inc. All rights reserved.

All brand or product names appearing in this document are the trademark or registered trademark of their respective holders. No SEL trademarks may be used without written permission. SEL products appearing in this document may be covered by US and Foreign patents.

Schweitzer Engineering Laboratories, Inc. reserves all rights and benefits afforded under federal and international copyright and patent laws in its products, including without limitation software, firmware, and documentation.

The information in this document is provided for informational use only and is subject to change without notice. Schweitzer Engineering Laboratories, Inc. has approved only the English language document.

This product is covered by the standard SEL 10-year warranty. For warranty details, visit www.selinc.com or contact your customer service representative.

SCHWEITZER ENGINEERING LABORATORIES, INC.

2350 NE Hopkins Court • Pullman, WA 99163-5603 U.S.A.

Tel: +1.509.332.1890 • Fax: +1.509.332.7990

selinc.com • info@selinc.com

