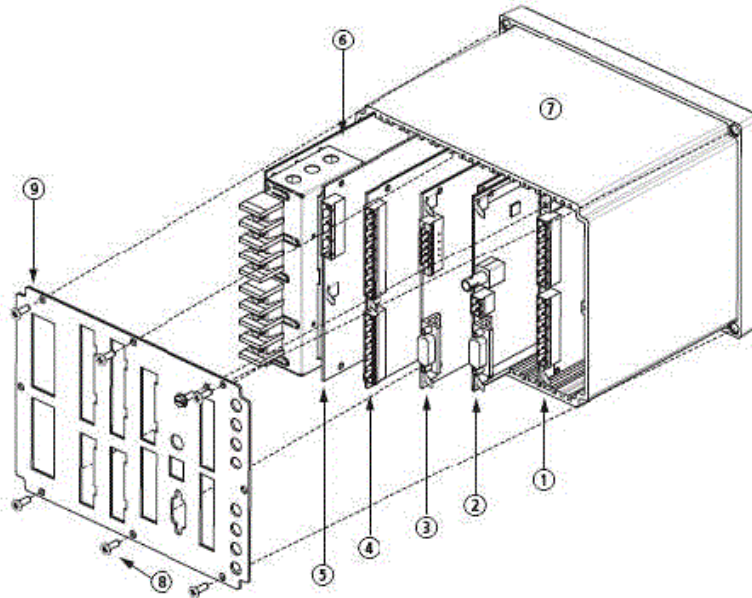






## Chassis Card Slot Configuration



- ① SELECT Power Supply Card with I/O (Slot A)
- ② SELECT Processor and Communications Card (Slot B)
- ③ SELECT 8 DI or EIA-232/485 Communications Card (Slot C)
- ④ SELECT 3 DI / 4 DO / 1 AO Card (Slot D)
- ⑤ SELECT 3 AVI Card (Slot E)
- ⑥ SELECT 4 ACI Card (Slot Z)
- ⑦ Device Case
- ⑧ Rear-Panel Mounting Screws
- ⑨ Rear Panel

*Making Electric Power Safer, More Reliable, and More Economical®*

**SEL** SCHWEITZER ENGINEERING LABORATORIES, INC.

2350 NE Hopkins Court - Pullman, WA 99163 USA  
Phone: +1.509.332.1890 - Fax: +1.509.332.7990