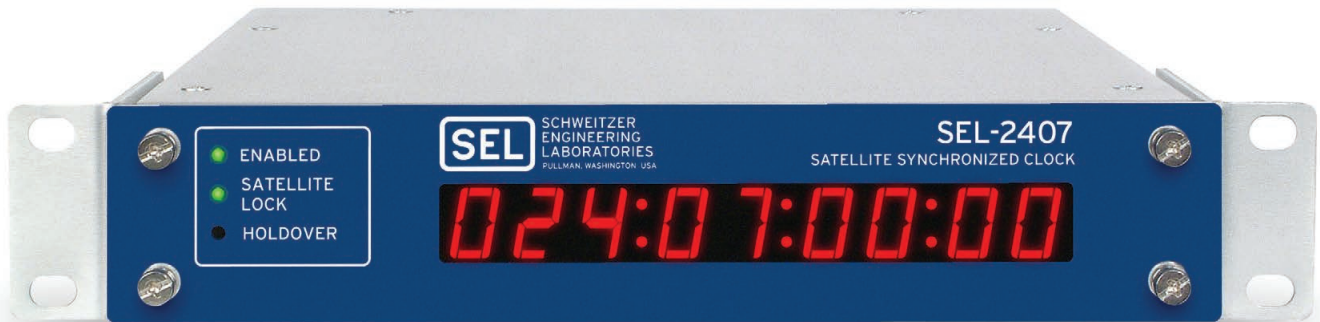


SEL-2407

Satellite-Synchronized Clock



Accurate time synchronization and display in harsh substation environments

- Synchronize relays, phasor measurement units, automation controllers, and other devices with ± 100 ns average timing accuracy.
- Use one modulated and six demodulated IRIG-B outputs to synchronize intelligent electronic devices (IEDs).
- Apply the SEL-2407 with confidence—it exceeds IEEE C37.90 and IEC 60255 protective relay standards.



Features

Reliability

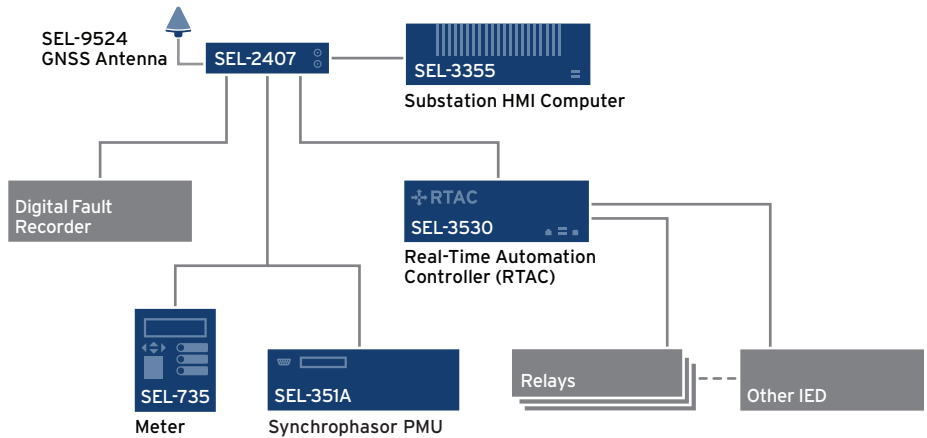
The SEL-2407 exceeds the IEEE C37.90 and IEC 60255 protective relay standards. It operates accurately from -40° to $+80^{\circ}\text{C}$ (-40° to $+176^{\circ}\text{F}$), and its universal power supply operating range is 10–300 Vdc or 85–264 Vac.

Accuracy

Apply the SEL-2407 for synchrophasors, relay event correlation, and other high-accuracy timing applications. Its demodulated IRIG-B outputs with ± 100 ns accuracy will meet existing and future timing needs.

Low Price for High Functionality

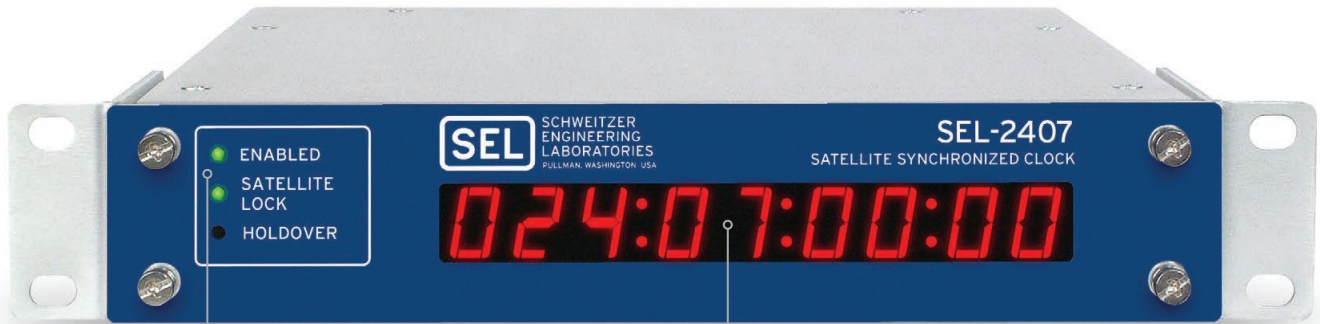
The SEL-2407 provides six demodulated IRIG-B outputs, three of which can be set to either 1 PPS or 1 kPPS. It also includes a large LED time display. These features come standard, rather than as high-priced options.



SEL-2407 substation application example



Product Overview



Simple LED status indicators

Large, easy-to-read LED display



Antenna connection (TNC)

Wide-range power supply:
10–300 Vdc or 85–264 Vac

Optional fiber-optic port (ST), compatible with SEL-2812 Fiber-Optic Transceivers With IRIG-B

Six demodulated (three programmable) outputs (BNC)

Modulated IRIG-B output

Form C alarm contact or Form A pulse output

Serial port (DB-9)

SEL-2407 Specifications

General

Display	LED time display
Time Ports	EIA-232 serial port Optional ST fiber-optic port One modulated IRIG-B output Three demodulated IRIG-B outputs Three programmable demodulated IRIG-B outputs (IRIG-B, 1 PPS, or 1 kPPS)
Environmental	−40° to +80°C (−40° to +176°F) operating temperature IEEE C37.90 compliance IEC 60255 compliance
Alarm Contact	Form C, 6 A
Power Supply	18–300 Vdc or 85–264 Vac
Accuracy	Demodulated IRIG-B: ±100 ns average, ±500 ns peak Modulated IRIG-B: ±1 µs peak PPS output: ±100 ns average, ±500 ns peak