

SEL Direct-Replacement Assemblies



Complete, preassembled retrofit kits for seamless replacements and upgrades

- Streamline retrofit projects with assemblies designed to match the features, form factor, and terminal blocks of legacy devices.
- Replace electromechanical relays and legacy digital devices quickly and easily with minimal impact on panels, wiring, and drawing sets.
- Ensure reliable protection with our field-proven devices, industry-renowned warranty, and customer support.



Key Benefits

Simple and Cost-Effective Retrofit Solutions

SEL direct-replacement assemblies are complete, preassembled retrofit kits—each designed to match the features, form factor, and terminal block arrangement of a specific legacy device. These assemblies combine field-proven SEL relays with specialized mounting plates, interposing terminal blocks, and other hardware to ensure quick and seamless upgrades.

Streamlined Installation and Configuration

Each assembly is designed to utilize existing mounting holes and minimize the need for panel modifications. Digital retrofits are drop-in installations, and electromechanical retrofits require only simple cuts to remove the dividers between a set of three relays.

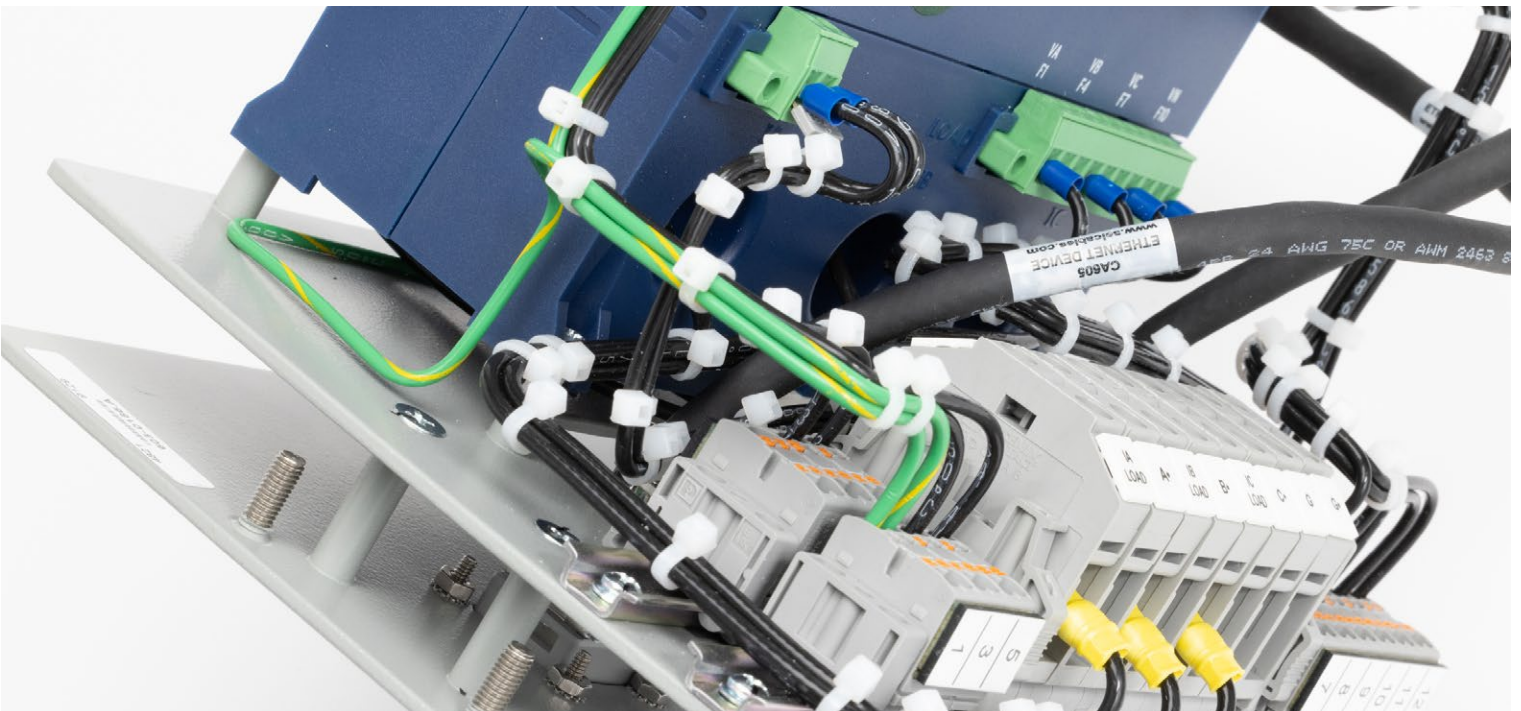
The terminal block arrangement and wiring designations closely match the prior installation, which dramatically reduces the impact on drawing sets, the likelihood of installation errors, and the time required for installation.

Comprehensive Support

All SEL-manufactured products and workmanship within panels and enclosures are backed by a worldwide, ten-year warranty. Diagnostic services, repairs, and local technical support are available for the lifetime of every SEL-manufactured device—at no extra cost. Third-party devices carry a transferred manufacturer warranty.

Turnkey Solutions

SEL offers services that include system design, settings conversion, installation, and commissioning—everything needed for a complete turnkey retrofit solution. We also create custom assembly designs to meet specific protection, communications, and mounting requirements.



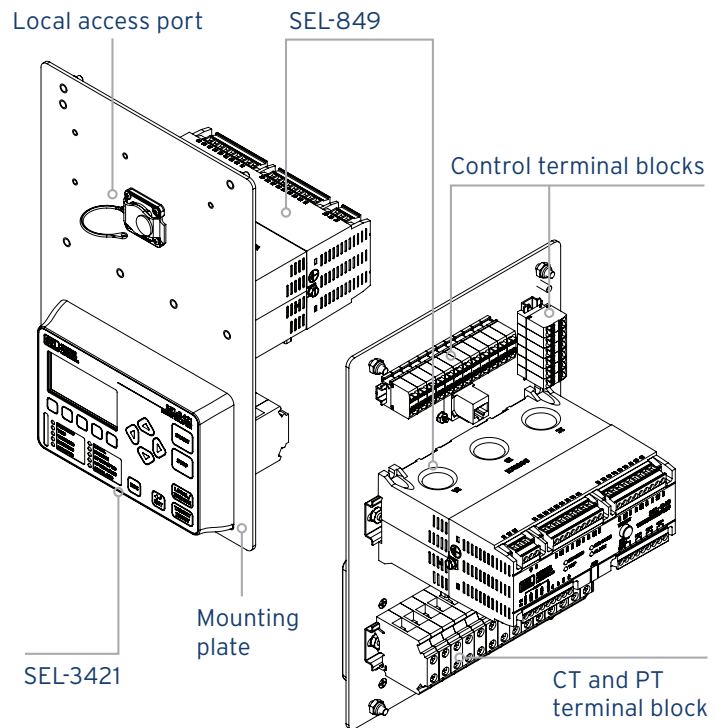
Digital Direct-Replacement Assemblies

Direct-replacement assemblies are available for a wide range of legacy digital devices. These diagrams use some of our most commonly ordered products to illustrate the essential features of direct-replacement assemblies. SEL Engineering Services also accommodates requests for custom-assembly designs to meet specific protection, communications, and mounting requirements.

Replacement for GE Multilin 169, 269, and 369 Relays Without Resistance Temperature Detectors (RTDs)

This assembly is equipped with the SEL-849 Motor Management Relay and the SEL-3421 Motor Relay HMI with LCD for motor applications without RTDs.

The front of the mounting plate contains the SEL-3421 HMI and an Ethernet port for local access. The back of the plate contains the SEL-849 relay and the CT, PT, and control terminal blocks. All connections between the SEL relay and interposing terminal blocks are prewired.

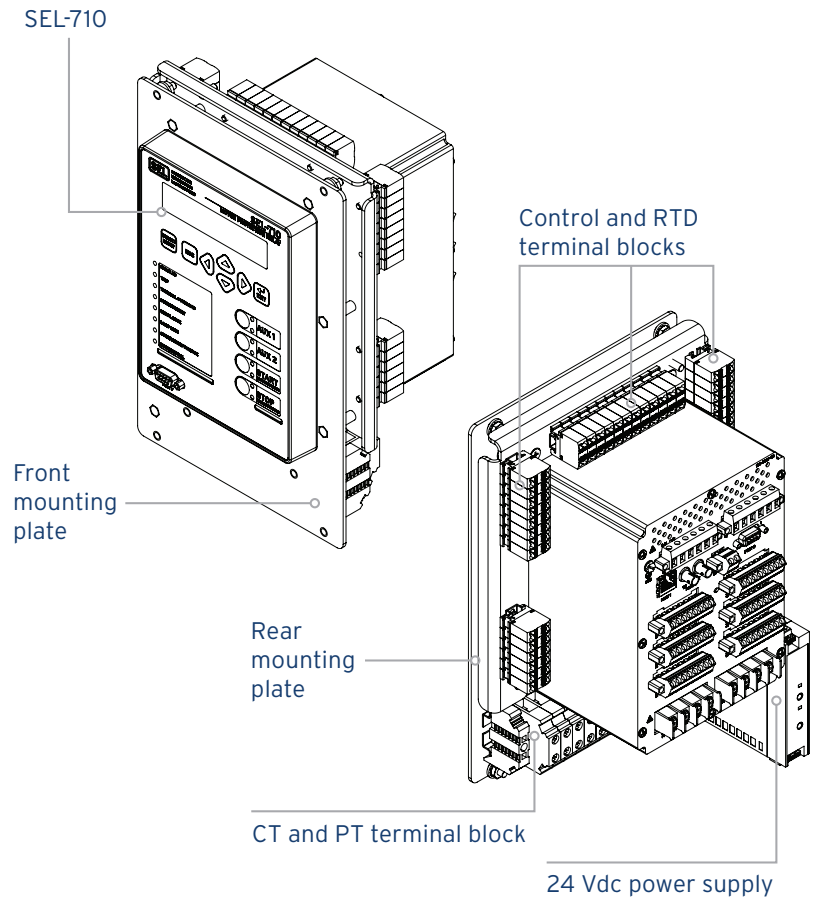


Dimensions (width × height × depth):
6.85 × 10.433 × 5.557 in (17.399 × 26.499 × 14.114 cm)

Replacement for GE Multilin 169, 269, and 369 Relays With RTDs

This assembly is equipped with the SEL-710 Motor Protection Relay for motor applications with up to ten RTDs. It consists of two components: a front mounting plate and a rear mounting plate.

The front mounting plate contains the SEL-710 relay and the CT and PT terminal block. The rear mounting plate contains the control and RTD terminal blocks and a 24 Vdc power supply to provide wetting voltage. All connections between the SEL relay and interposing terminal blocks are prewired. For shallow compartment applications, two extension rings are available to projection-mount the SEL-710.

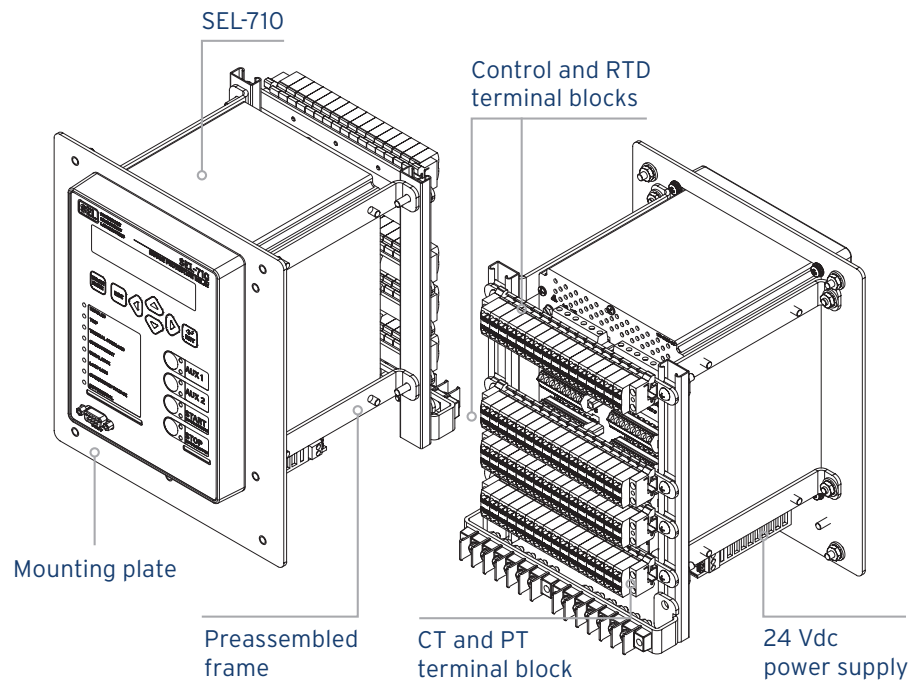


Dimensions (width × height × depth):
6.85 × 10.43 × 5.64 in (17.399 × 26.492 × 14.326 cm)

Replacement for GE SR Series Relays

This assembly is equipped with the SEL-710 for motor protection and control applications. It consists of a mounting plate, frame, and terminal blocks, which all come preassembled as a single unit.

The front of the mounting plate contains the SEL-710 relay. The back of the plate and the adjoining frame contain the CT, PT, control, and RTD terminal blocks and a 24 Vdc power supply to provide wetting voltage. All connections between the SEL relay and interposing terminal blocks are prewired.

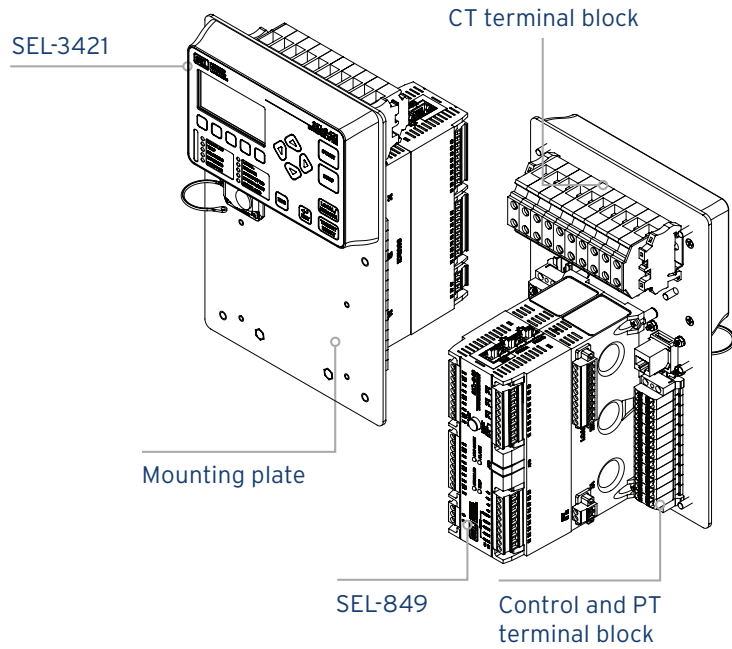


Dimensions (width × height × depth):
7.25 × 9 × 7.64 in (18.415 × 22.86 × 19.406 cm)

**Replacement for Westinghouse/
Cutler-Hammer/Eaton IQ-1000,
IQ-1000II, MP-3000, and
MP-4000 Relays**

This assembly is equipped with the SEL-849 and the SEL-3421 for motor applications without RTDs.

The front of the mounting plate contains the SEL-3421 HMI and an Ethernet port for local access. The back of the plate contains the SEL-849 relay and the CT, PT, and control terminal blocks. All connections between the SEL relay and interposing terminal blocks are prewired.



Dimensions (width × height × depth):
4.556 × 8.438 × 5.001 in (11.572 × 21.432 × 12.702 cm)



Electromechanical Direct-Replacement Assemblies

These complete, preassembled retrofit kits combine a field-proven SEL digital relay with mounting plates, interposing terminal blocks, test switches, and other hardware that closely match the function, form factor, and terminal blocks of specific legacy relays.

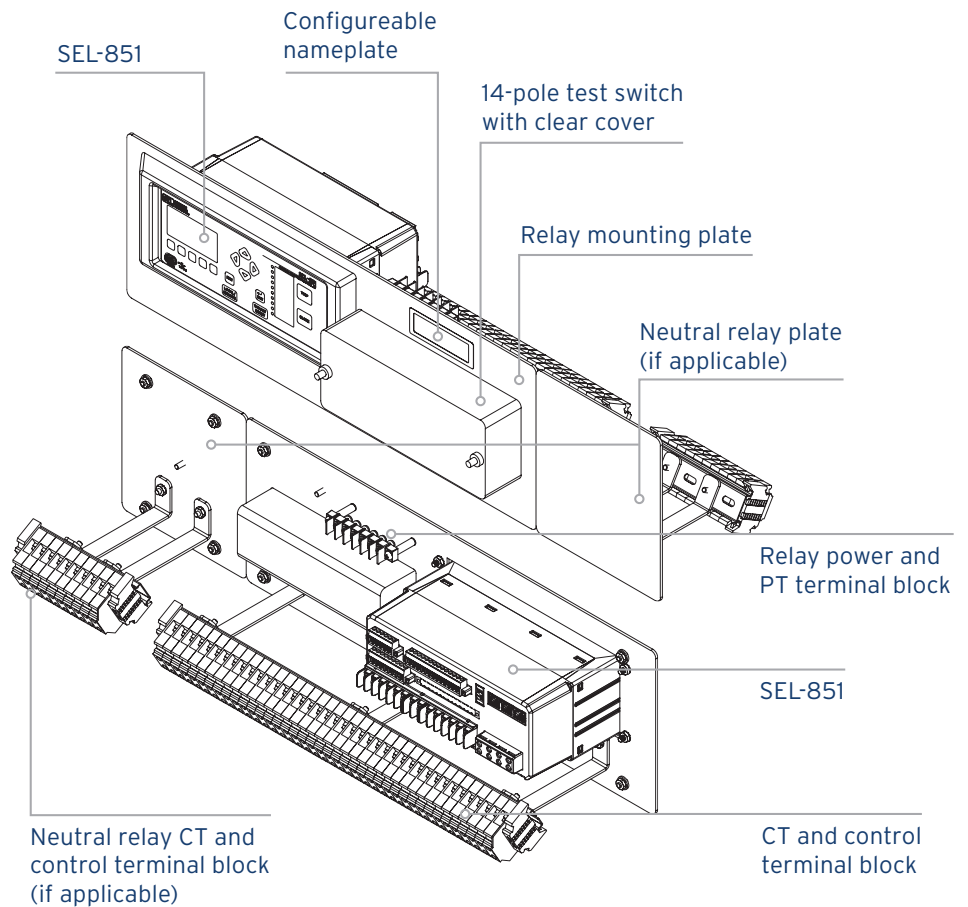
Designed for installations in which a set of three electromechanical relays are horizontally aligned in a panel, the direct-replacement assembly uses existing mounting holes and requires only simple cuts to remove the dividers between the old relays.

Replacement for Westinghouse CO Relays

The FT-11 chassis direct-replacement assembly is equipped with an SEL-851 Feeder Protection Relay. The FT-21 chassis direct-replacement assembly can be equipped with an SEL-851 or an SEL-751 Feeder Protection Relay. Both assemblies include a 14-pole States-style test switch.

Suitable applications include Westinghouse Type CO-2, CO-5, CO-6, CO-7, CO-8, CO-9, and CO-11 relays with up to four common coupled trip contacts. This assembly is not intended for installations with ac-series trip circuits or isolated trip contacts.

The relay mounting plate contains the SEL relay, the test switch, a relay power and PT terminal block, and a CT and control terminal block. A separate mounting plate provides terminal blocks for neutral relay CT and control. All connections between the SEL relay and interposing terminal blocks are prewired.



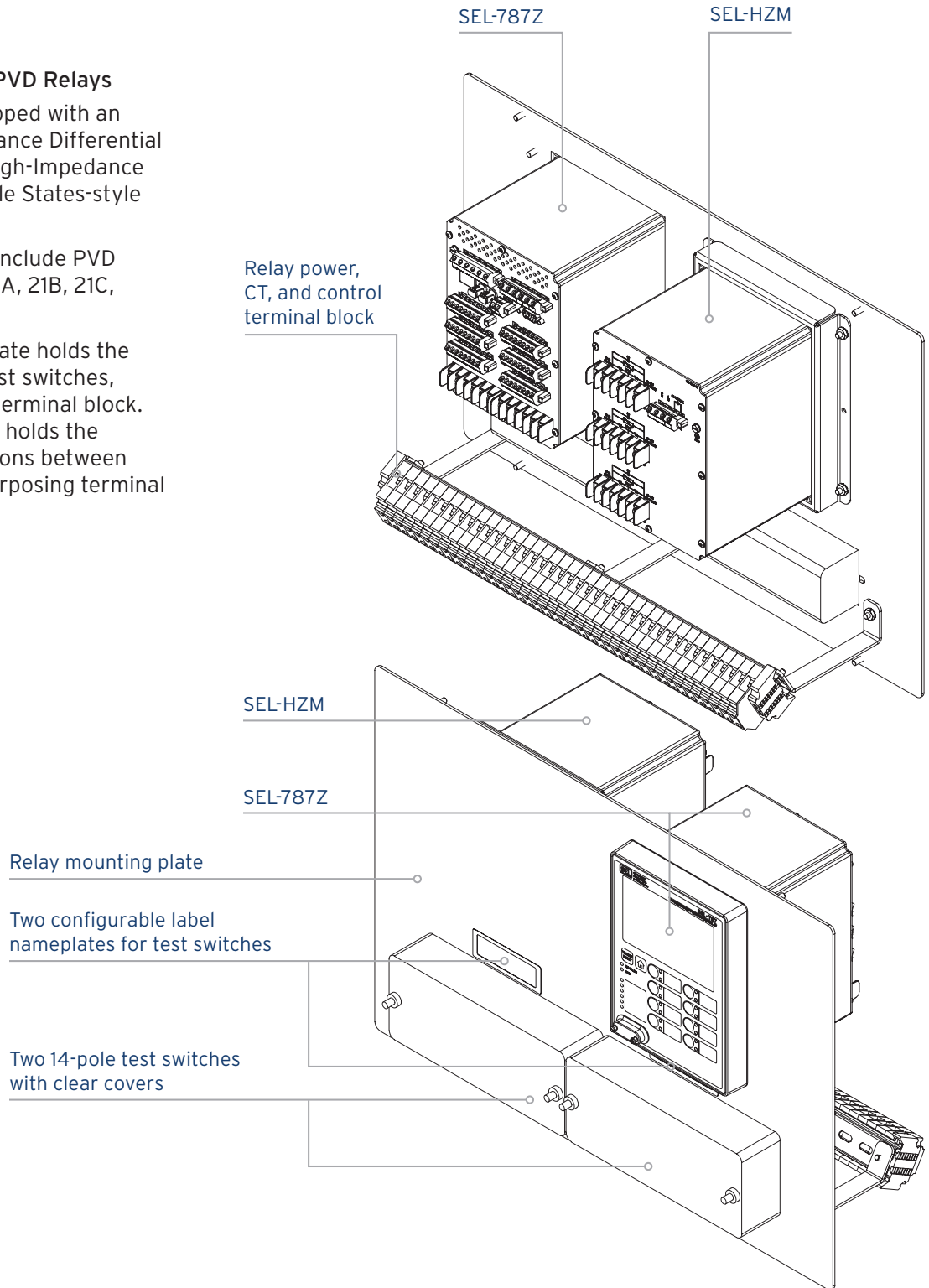
Dimensions (width × height × depth):
27.38 × 7.25 × 9.09 in (69.54 × 18.41 × 23.08 cm)

Replacement for GE PVD Relays

This assembly is equipped with an SEL-787Z High-Impedance Differential Relay and SEL-HZM High-Impedance Module and two 14-pole States-style test switches.

Suitable applications include PVD relay styles 11A, 11B, 21A, 21B, 21C, and 21D.

The front mounting plate holds the SEL-787Z relay, the test switches, and a CT and control terminal block. A rear mounting plate holds the SEL-HZM. All connections between the SEL relay and interposing terminal blocks are prewired.

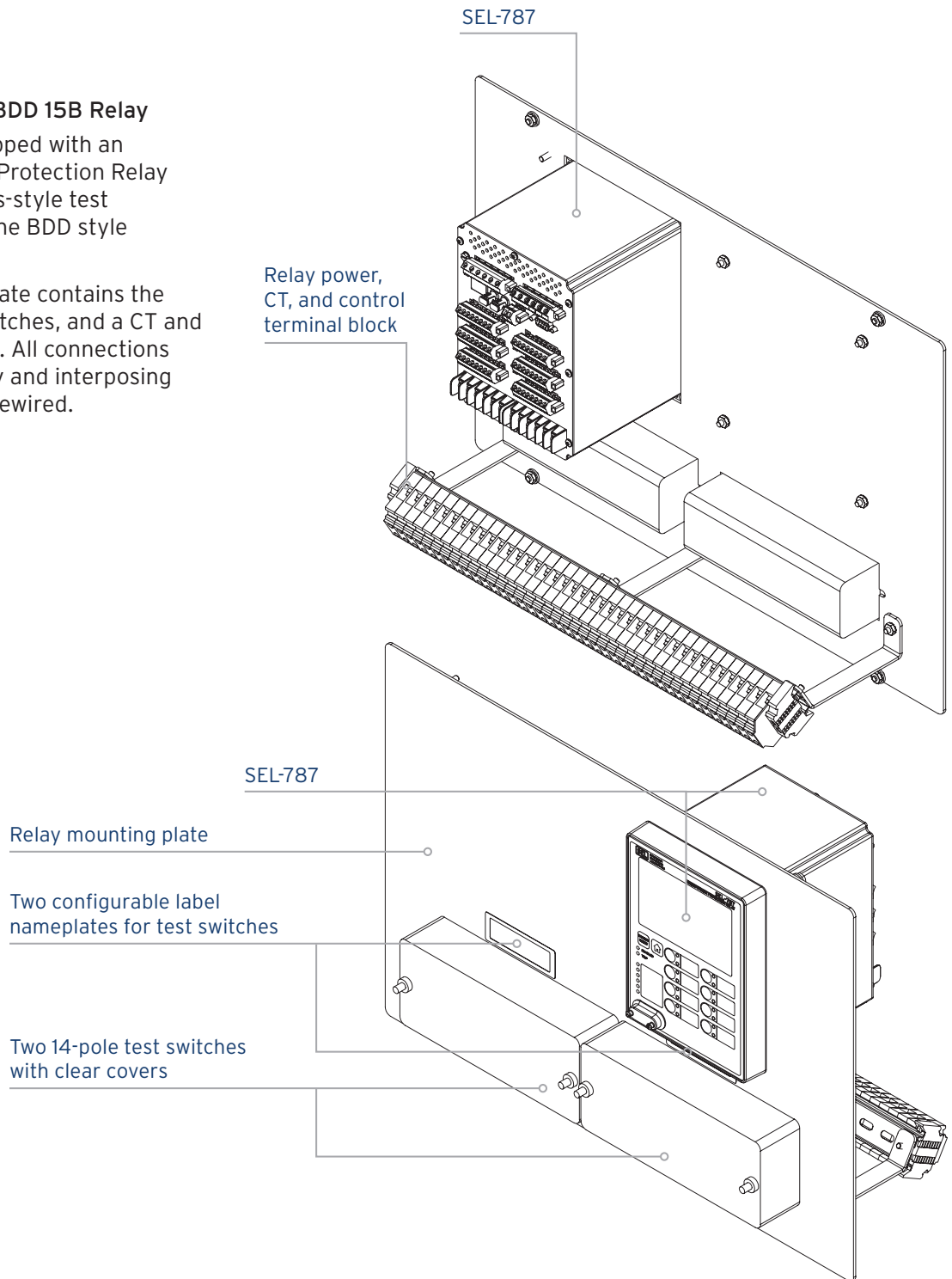


Dimensions (width × height × depth):
22.00 × 15.12 × 9.09 in (55.88 × 38.40 × 23.08 cm)

Replacement for GE BDD 15B Relay

This assembly is equipped with an SEL-787 Transformer Protection Relay and two 14-pole States-style test switches. It replaces the BDD style 15B relay only.

The relay mounting plate contains the SEL relay, the test switches, and a CT and control terminal block. All connections between the SEL relay and interposing terminal blocks are prewired.



Dimensions (width × height × depth):
22.00 × 15.12 × 9.09 in (55.88 × 38.40 × 23.08 cm)

SEL SCHWEITZER ENGINEERING LABORATORIES

SEL Engineering Services
+1.509.332.1890 | esinfo@selinc.com | selinc.com

© 2024 by Schweitzer Engineering Laboratories, Inc.
PF00680 · 20240701