



SEL-651RA Installation Instructions for Heater

Introduction

This accessory provides a fused, thermostatically controlled heater to help regulate interior cabinet temperature.

Parts

SEL Part Number	Description	Quantity
P9756	Heater subassembly	1
080-0101	5/8 steel wire clamps	2
080-0202	7/16 plastic wire clamp	1
142-0255	#10 flat washer	1
140-3150	10-32 self-locking nut	3
310-0050	Zip ties	12

Installation

- Step 1. Install the heater subassembly to the right inner side wall of the cabinet. Secure the heater subassembly to the cabinet with two nuts. See *Figure 1*.

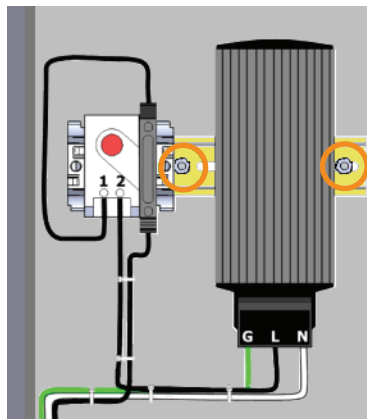


Figure 1 Attach Heater Assembly

- Step 2. Secure the heater wires with the plastic clamp, washer, and the remaining nut. See *Figure 2*.

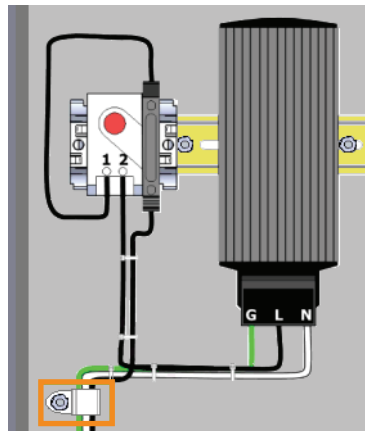


Figure 2 Secure Heater Wires

- Step 3. Route the wires down to the bottom of the cabinet and across the back through the existing plastic clamp toward the 14-pin connector.
- Step 4. Use the existing nut to connect the green/yellow ground wire to the ground stud.
- Step 5. Join the heater wires with the main harness and route the wires through the wire loom and up the swing-panel hinge through the existing wire clamps.
- Step 6. Route the wires across the top of the control module. The accessory wires route separately from the main harness.
- Step 7. Use the existing nuts to secure the wires to the top of the control module with the two accessory wire clamps (if they are not already installed). See *Figure 3*.

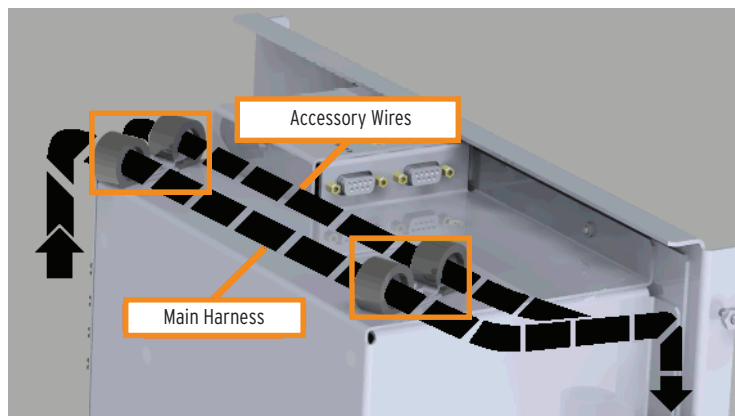
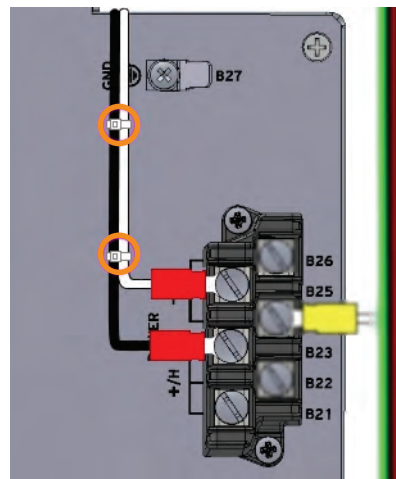


Figure 3 Secure Wires on Top of Control Module

- Step 8. Attach the white wire from heater Terminal **N** to the **B25** terminal on the control module and the black wire from the bottom of the heater fuse to **B23** on the control module. See *Figure 4*.

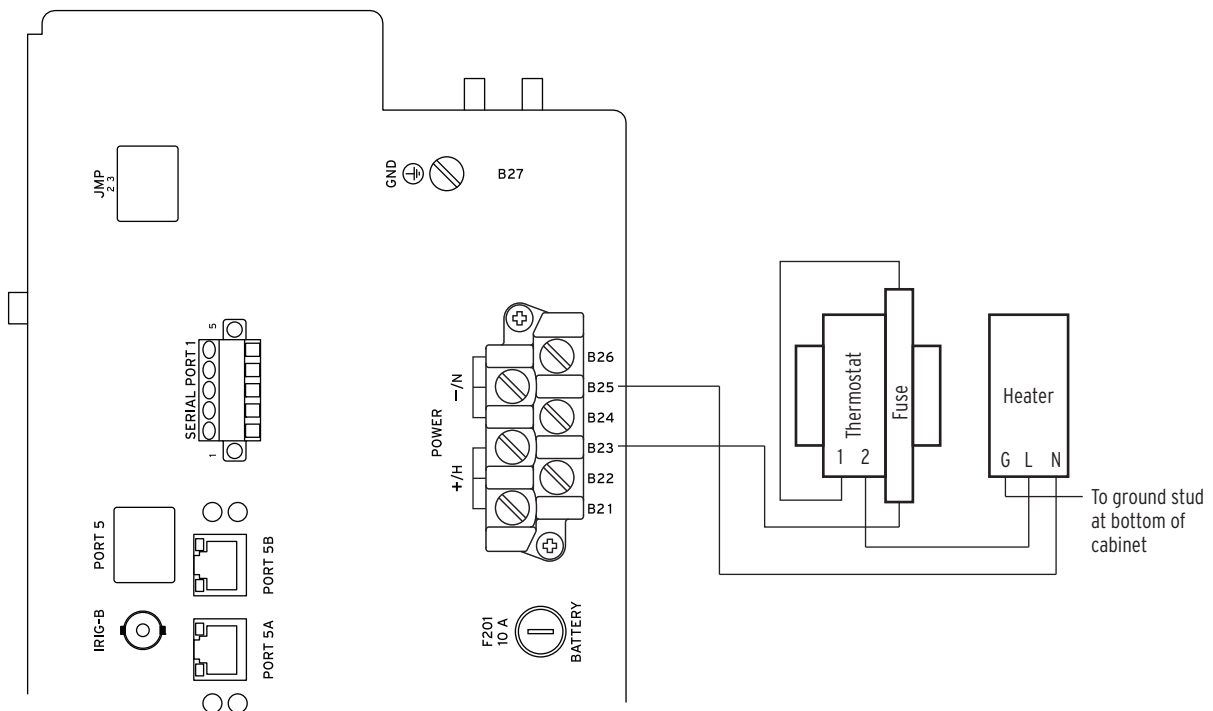


From:	To: (Relay)
Fuse Holder Bottom	B23
Heater Terminal N	B25

Figure 4 Connect Heater Wires

Step 9. Zip tie wires as necessary.

Wiring Diagram



Factory Assistance

We appreciate your interest in SEL products and services. If you have questions or comments, please contact us at:

Schweitzer Engineering Laboratories, Inc.
 2350 NE Hopkins Court
 Pullman, WA 99163-5603 U.S.A.
 Tel: +1.509.332.1890
 Fax: +1.509.332.7990
 Internet: selinc.com
 Email: info@selinc.com

WARNING

Operator safety may be impaired if the device is used in a manner not specified by SEL.

© 2016 by Schweitzer Engineering Laboratories, Inc. All rights reserved.

All brand or product names appearing in this document are the trademark or registered trademark of their respective holders. No SEL trademarks may be used without written permission. SEL products appearing in this document may be covered by U.S. and Foreign patents.

Schweitzer Engineering Laboratories, Inc. reserves all rights and benefits afforded under federal and international copyright and patent laws in its products, including without limitation software, firmware, and documentation.

The information in this document is provided for informational use only and is subject to change without notice. Schweitzer Engineering Laboratories, Inc. has approved only the English language document.

This product is covered by the standard SEL 10-year warranty. For warranty details, visit selinc.com or contact your customer service representative.

AVERTISSEMENT

La sécurité de l'opérateur peut être compromise si l'appareil est utilisé d'une façon non indiquée par SEL.

SCHWEITZER ENGINEERING LABORATORIES, INC.

2350 NE Hopkins Court • Pullman, WA 99163-5603 U.S.A.
 Tel: +1.509.332.1890 • Fax: +1.509.332.7990
 www.selinc.com • info@selinc.com

