



SEL-651RA Accessory Mounting Kit and 12-Volt Terminal Block Installation Instructions

Introduction

This accessory mounting kit provides physical means to mount accessories to the back wall of the cabinet behind the SEL-651RA control module. The cross channels and channel nuts are adjustable to accommodate most accessories with mounting dimensions less than 241.3 mm (9.5 in) high and 406.4 mm (16 in) wide. There are approximately 56.64 mm (2.23 in) between the back of the control module and the accessory mounting bracket. The 12-volt terminal block provides five 12 V and five return positions. The input power or battery power energizes the 12 V terminals when the control is operable.

Parts

SEL Part Number	Description	Quantity
P9748	Accessory mounting kit subassembly	1
P9753	12-volt terminal block subassembly	1
P9950	Accessory mounting kit auxiliary parts	1
142-0260	Fender washers	2
140-3150	10-32 self-locking nut	5
080-0101	Cable clamps	3
310-0050	Zip ties	12
SEL-C2252	Red wire	1
SEL-C5533	Black wire	1

Installation

- Step 1. Install the accessory mounting kit subassembly to the inside back wall of the cabinet. Secure the accessory mounting kit to the cabinet with two fender washers and two nuts on the bottom studs only. See *Figure 1*.

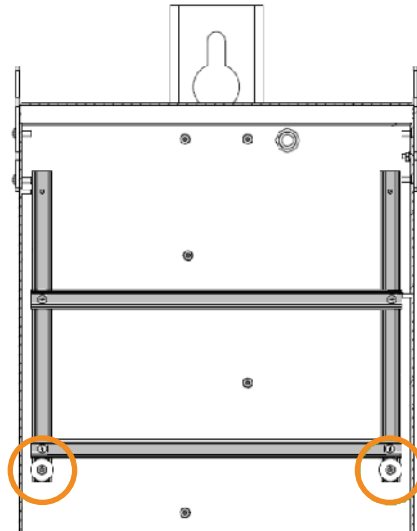


Figure 1 Install Accessory Mounting Assembly

Step 2. Install the 12 V terminal block subassembly to the top of the accessory mounting kit with two nuts. See *Figure 2*.

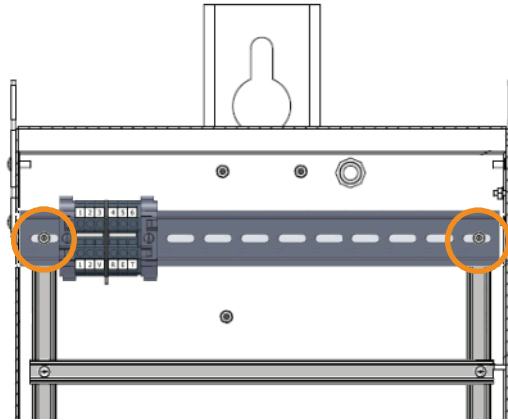


Figure 2 Install 12 V Terminal Block

Step 3. Install the red and black wires to the top of Terminals 1 and Terminal 4, respectively. See *Figure 3*.

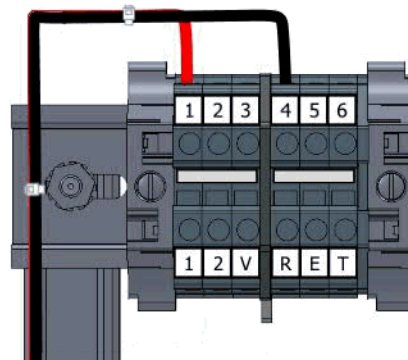


Figure 3 Install 12 V Terminal Block Wires

Step 4. Install the wire clamp to the side of the cabinet with a nut and route the wires through it. See *Figure 4*.

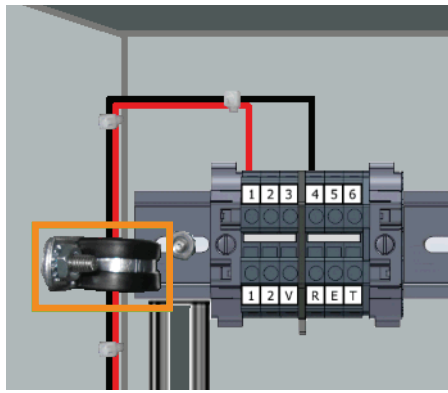


Figure 4 Secure 12 V Terminal Block Wires

- Step 5. Route the wires down the side of the cabinet to the bottom of the cabinet near the 14-pin connector.
- Step 6. Route the wires through the existing wire clamp on the floor of the cabinet.
- Step 7. Route the wires through the wire loom and up the swing-panel hinge through the existing wire clamps.
- Step 8. Route the wires across the top of the control module. The accessory wires route separately from the main harness.
- Step 9. Use the existing nuts to secure the wires to the top of the control module with the two accessory wire clamps (if they are not already installed). See *Figure 5*.

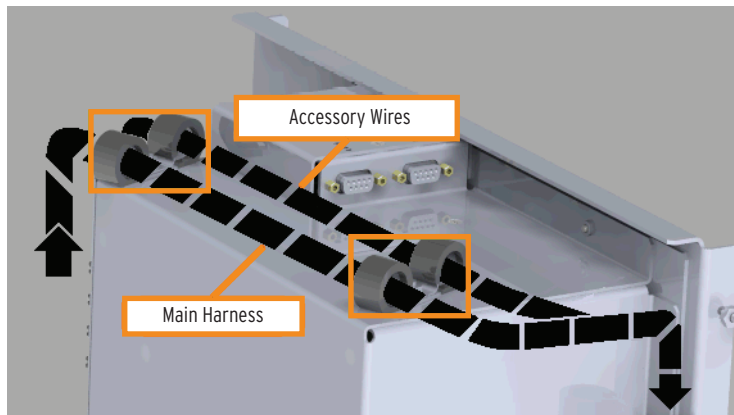


Figure 5 Secure Wires on Top of Control Module

- Step 10. Route the wires down the other side of the control module and attach the red wire to **B15** and the black wire to **B17**. See *Figure 6*.

Factory Assistance

We appreciate your interest in SEL products and services. If you have questions or comments, please contact us at:

Schweitzer Engineering Laboratories, Inc.
2350 NE Hopkins Court
Pullman, WA 99163-5603 U.S.A.
Tel: +1.509.332.1890
Fax: +1.509.332.7990
Internet: selinc.com
Email: info@selinc.com

⚠ WARNING

Operator safety may be impaired if the device is used in a manner not specified by SEL.

© 2016 by Schweitzer Engineering Laboratories, Inc. All rights reserved.

All brand or product names appearing in this document are the trademark or registered trademark of their respective holders. No SEL trademarks may be used without written permission. SEL products appearing in this document may be covered by U.S. and Foreign patents.

Schweitzer Engineering Laboratories, Inc. reserves all rights and benefits afforded under federal and international copyright and patent laws in its products, including without limitation software, firmware, and documentation.

The information in this document is provided for informational use only and is subject to change without notice. Schweitzer Engineering Laboratories, Inc. has approved only the English language document.

This product is covered by the standard SEL 10-year warranty. For warranty details, visit selinc.com or contact your customer service representative.

⚠ AVERTISSEMENT

La sécurité de l'opérateur peut être compromise si l'appareil est utilisé d'une façon non indiquée par SEL.

SCHWEITZER ENGINEERING LABORATORIES, INC.

2350 NE Hopkins Court • Pullman, WA 99163-5603 U.S.A.

Tel: +1.509.332.1890 • Fax: +1.509.332.7990

www.selinc.com • info@selinc.com

