

LEGEND

- ◇ : IN-LINE CONNECTOR
- : DEVICE CONNECTOR
- △ : CAPPED TERMINATION
- ⏏ : ENCLOSURE GROUND LUG

**INSTALLED ACCESSORIES CODE
(LAST 3 DIGITS OF MODEL OPTION)**

- 000: NO ACCESSORIES
- 0C0: RADIO SURGE ARRESTOR (SEL-3060 NOT INCLUDED)
- 0A0: SEL-3060 ETHERNET RADIO
- 0A2: SEL-2401 SATELLITE-SYNCHRONIZED CLOCK, SEL-3060 ETHERNET RADIO
- 082: SEL-2401 SATELLITE-SYNCHRONIZED CLOCK

MODEL OPTION CODE

- ┌──┐ INSTALLED ACCESSORIES
- └──┘
- ┌──┐ SLOT Z CARD
- └──┘

REV. NO.	DATE	APPROVAL	DESCRIPTION
A	09/26/16	R. NEMITZ	INITIAL DRAFT

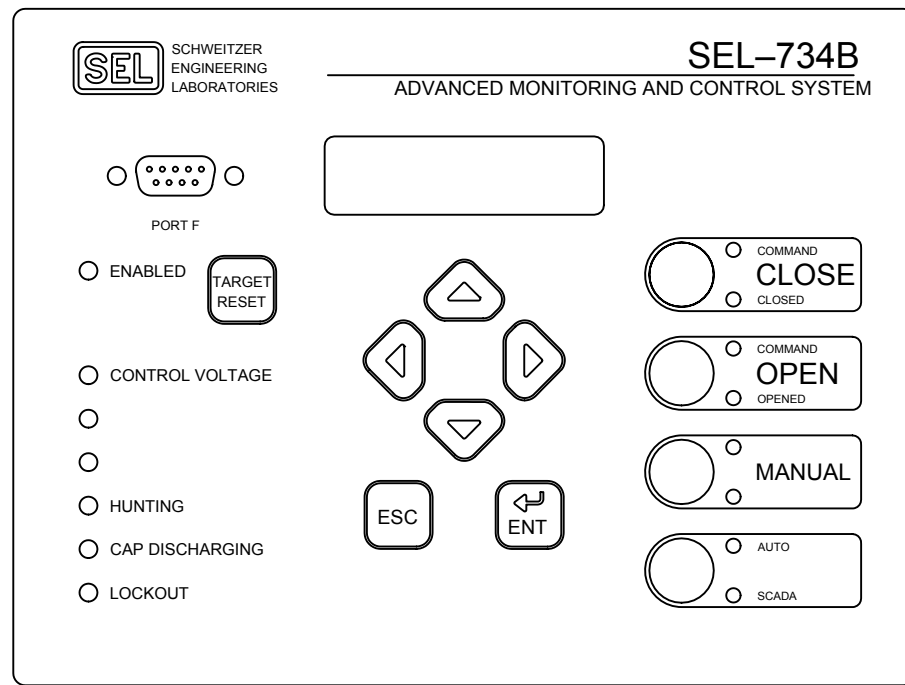
SEL SCHWITZER ENGINEERING LABORATORIES, INC.
 2350 NE Hopkins Court, Pullman, WA 99163-9603, USA
 This document and all information contained herein is proprietary to Schwitzer Engineering Laboratories, Inc. Any unauthorized disclosure or reproduction of this document, in whole or in part, without the express written permission of Schwitzer Engineering Laboratories, Inc. is specifically prohibited. This legend must appear on any authorized reproduction (in whole or in part).
 COPYRIGHT © SEL 2016

SCALE	ENGINEER	DRAWER	DATE	REV
NTS	R. NEMITZ	S. KUSCH	09/26/16	A

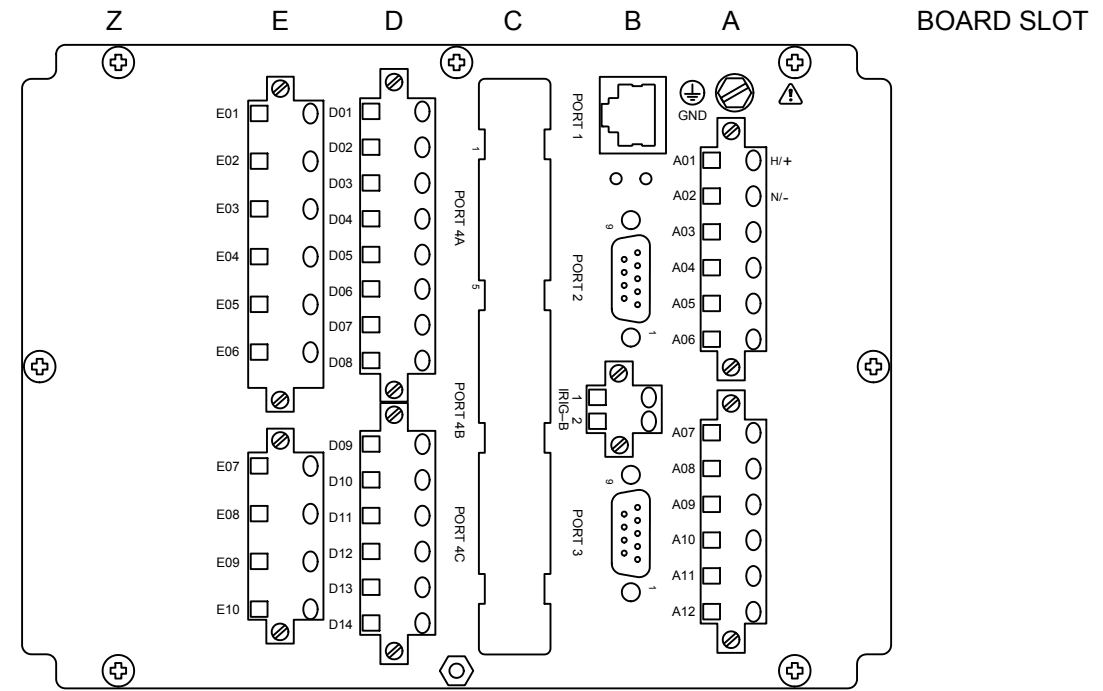
SCHEMATIC

DWG NO. LDW734B0006

SHEET 1 OF 3



SEL-734B FRONT VIEW



SEL-734B REAR VIEW

ENCLOSURE GROUND LUG (ENC GND)

SLOT A GND
MOV1-G
734B BRACKET

SEL-734B

SLOT A

01: FPJ-LINE, A07
02: FPJ-NEU, E02
03: N/C
04: N/C
05: N/C
06: N/C

07: A01, D01
08: N/C
09: TB1-1R
10: N/C
11: N/C
12: N/C

SLOT B

PORT 2: SERIAL PATCH CABLE
PORT 3: SERIAL PATCH CABLE

GROUNDING
SLOT A GND: ENC GND

SLOT D

01: A07, D03
02: J2-9
03: D01, D10
04: J2-8
05: N/C
06: N/C
07: N/C

08: N/C
09: SW-NC
10: D03, D14
12: N/C
13: N/C
14: D10, E07

SLOT E

01: J2-7
02: A02, E03
03: E02, E06
04: J2-2
05: J2-6
06: E03, E08
07: D14
08: E06, E09
09: E08, E10
10: E09, TB1-2R

INTERNAL/EXTERNAL CONNECTORS

SOCKET BASE (SB)

J1

J2

J3

1: TB1-1R, J4-1
2: TB1-2R, J4-2

J4

1: TL(+), J3-1
2: TL(-), J3-2

FUSE BLOCKS (FB1, FB2)

FB1-T: J2-1
FB1-B: FPJ-LINE
FB2-T: J2-4, FPJ-NEU
FB2-B: MOV1-N

TB1

1L: R1-1
1R: A09, J3-1
2L: R1-2
2R: E10, J3-2

TROUBLE LAMP (TL)

(+): J4-1
(-): J4-2

VARISTOR (MOV1)

MOV1-L: FPJ-LINE
MOV1-N: FB2-B
MOV1-G: ENC GND

R1

1: TB1-1L
2: TB1-2L

DOOR SWITCH (SW)

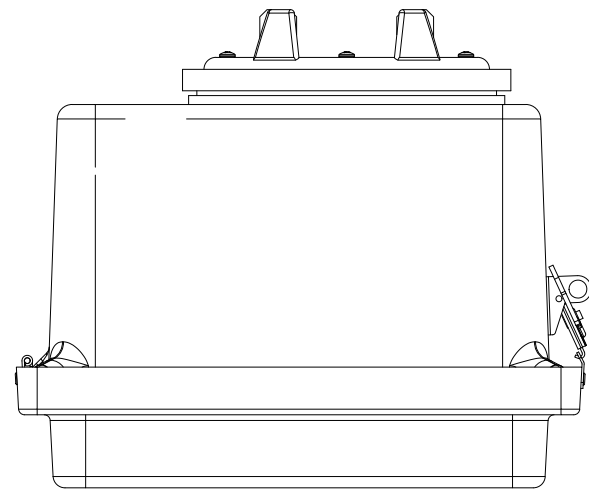
SW-NO: N/C
SW-NC: D09
SW-COM: FPJ-NEU

FRONT-PANEL JACKS (FPJ)

REV. NO.	DATE	APPROVAL	DESCRIPTION
A	09/26/16	R. NEMITZ	INITIAL DRAFT

SEL SCHWEITZER ENGINEERING LABORATORIES, INC.
2350 NE Hopkins Court, Pullman, WA 99163-5603 USA
This document and all information contained herein is proprietary to Schweitzer Engineering Laboratories, Inc. and is not to be distributed, copied, or reproduced in any form without the express written permission of Schweitzer Engineering Laboratories, Inc. Any information contained herein is specifically prohibited. This legend must appear on any authorized reproduction (in whole or in part).
COPYRIGHT © SEL 2016

SCALE	NTS	ENGINEER	DRAWER	DATE	REV
		R. NEMITZ	S. KUSCH	09/26/16	A
WIRING DIAGRAM					
SHEET 2 OF 3					
DWG. NO. LDW734B0006					



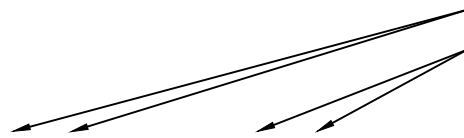
TOP VIEW

DOOR SWITCH

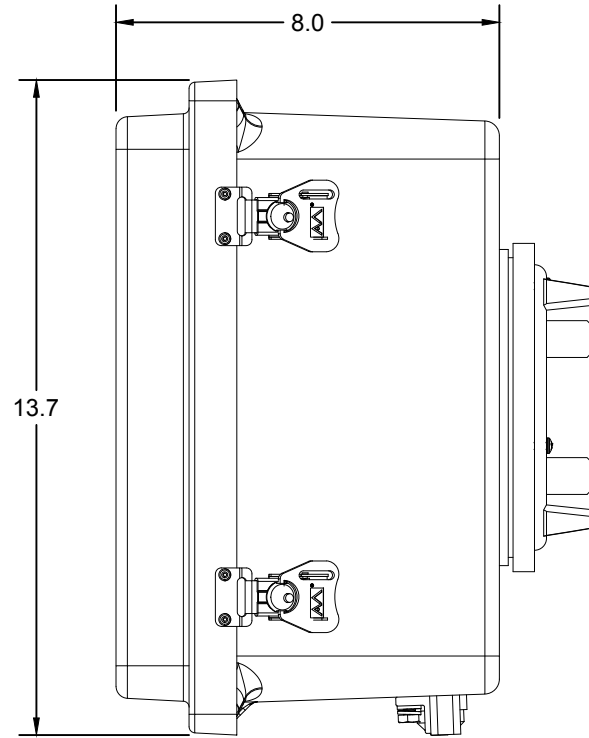


TEST JACKS

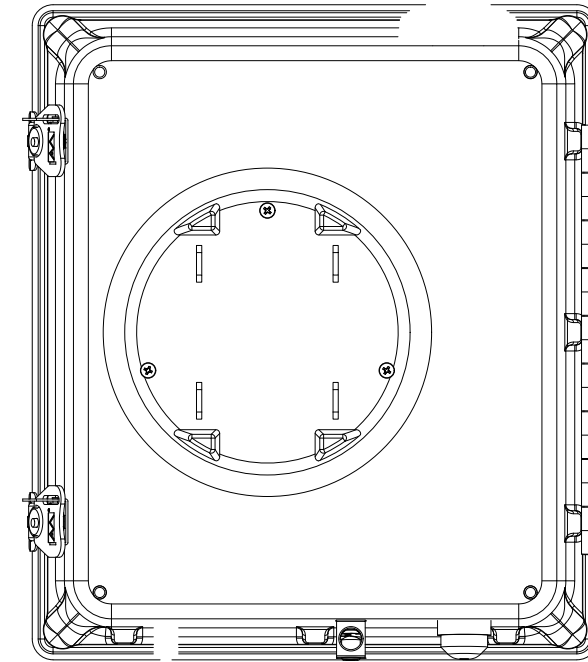
FUSES



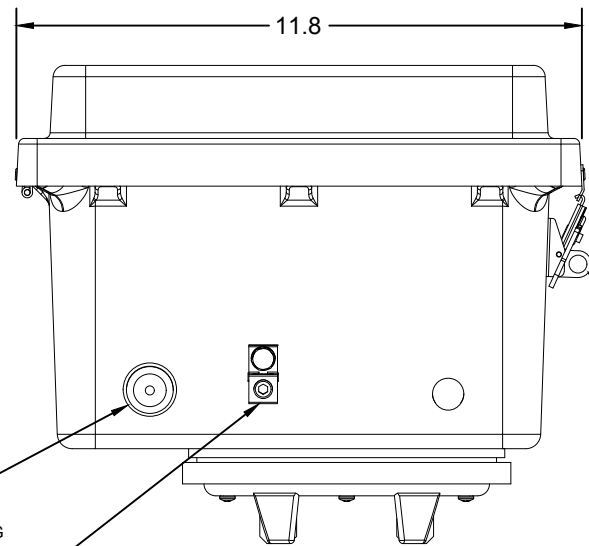
FRONT VIEW, DOOR OPEN



SIDE VIEW



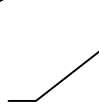
REAR VIEW



BOTTOM VIEW

TROUBLE LAMP

COPPER GROUND LUG
CU WIRE #14-2/0
WRENCH: 3/16" HEX KEY
TORQUE: 120 IN-LB



LATCHES ACCEPT PADLOCK
WITH UP TO 1/4" SHACKLE



REV. NO.	DATE	APPROVAL	DESCRIPTION
A	09/26/16	R. NEMITZ	INITIAL DRAFT

SEL SCHWEITZER ENGINEERING LABORATORIES, INC.
2350 NE Hopkins Court, Pullman, WA 99163-5603, USA
This document and all information contained herein is proprietary to Schweitzer Engineering Laboratories, Inc. Any unauthorized disclosure or use of this information is strictly prohibited. This legend must appear on any authorized reproduction (in whole or in part).
COPYRIGHT © SEL 2016

SCALE	NTS	ENGINEER	DRAWER	DATE	REV
		R. NEMITZ	S. KUSCH	09/26/16	A

CABINET ASSEMBLY

DWG NO. LDW734B0006

Sheet 3 of 3