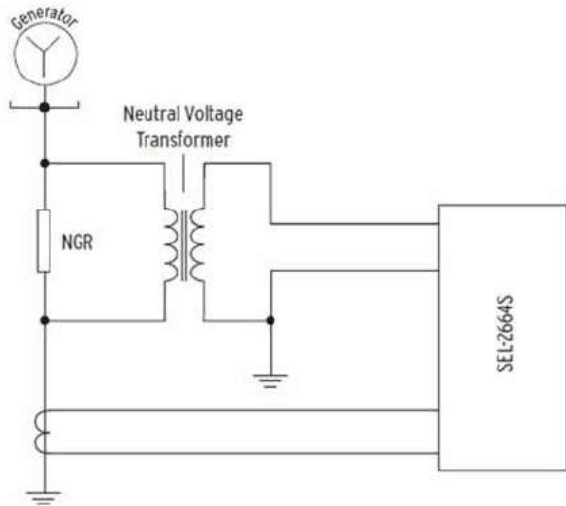


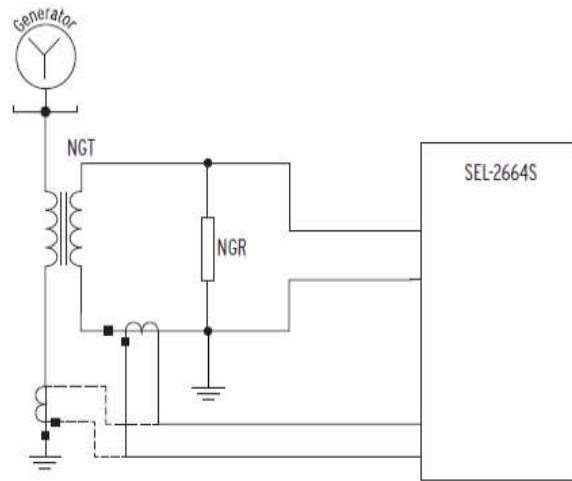
Figure A



Order SEL part number 915900352 (CBCT with 500:1 ratio)

AC Connections With CBCT on the Primary Side

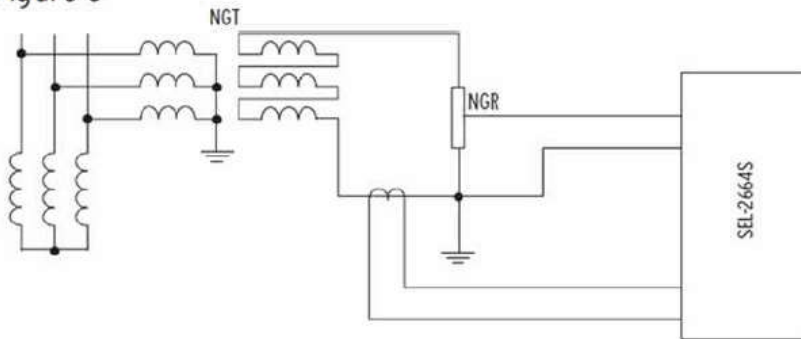
Figure B



Order SEL part number 915900352 (CBCT with 500:1 ratio) if CBCT is on primary
Order SEL part number 915900286 (CBCT with 1000:1 ratio) if CBCT is on secondary

AC Connection With CBCT on the Secondary Side of the Neutral Grounding Transformer

Figure C



Order SEL part number 915900286 (CBCT with 1000:1 ratio)

Making Electric Power Safer, More Reliable, and More Economical®

SEL SCHWEITZER ENGINEERING LABORATORIES, INC.

2350 NE Hopkins Court - Pullman, WA 99163 USA
Phone: +1.509.332.1890 - Fax: +1.509.332.7990